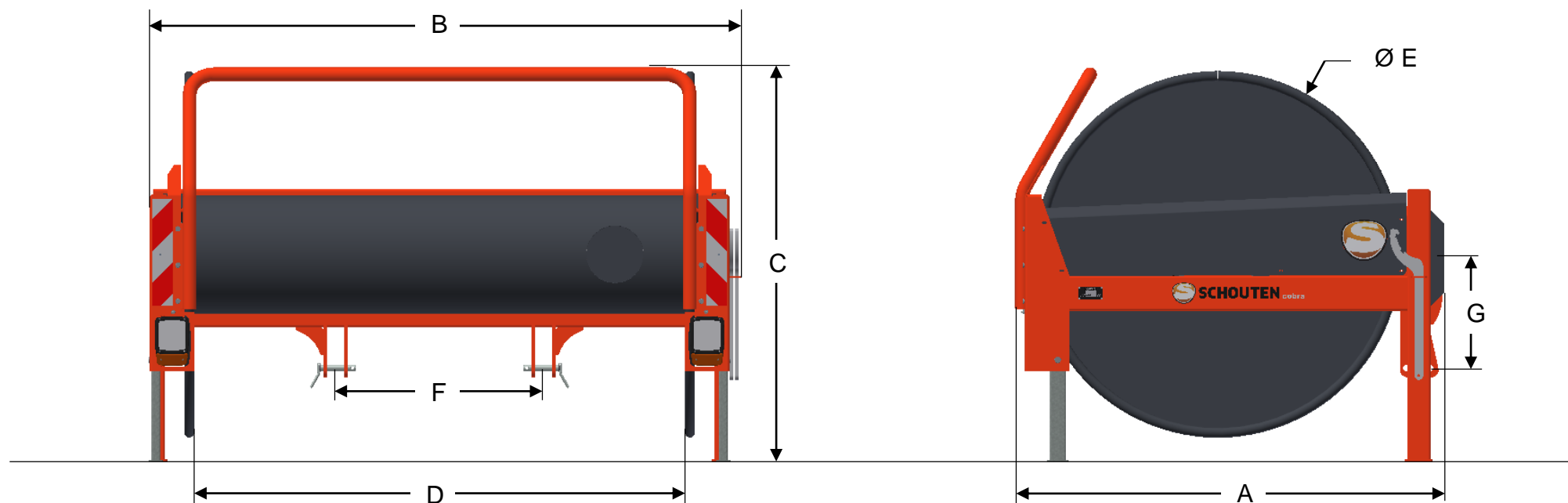


COBRA H240



DIMENSIONS

A	LENGTH	1840 MM
B	WIDTH	2800 MM
C	HEIGHT	1690 MM
D	SPOOLWIDTH	2400 MM

E	SPOOLDIAMETER	1570 MM
F	HITCH WIDTH	890 MM
G	DISTANCE LIFT PIN – LINK PIN	520-590 MM

COBRA H240

MACHINE INFORMATION

TYPE	H240	DRIVE SPOOLS	HYDRAULIC/CHAIN
WEIGHT	910 KG	HYDRAULIC MOTORS/SPOOL	2X OMS200
HITCH TYPE	3-POINTS CAT II	DRIVE PROTECTION	HYDR. OVERPRESSURE
HOSE CAPACITY	1300 MTR. 5"		

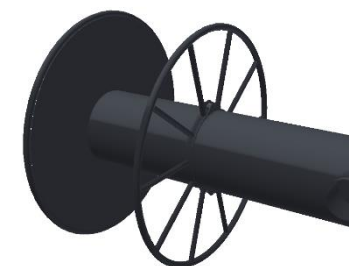
OPTIONS



FRONTLIGHTING



BACKLIGHTING



ADJUSTABLE PARTITION